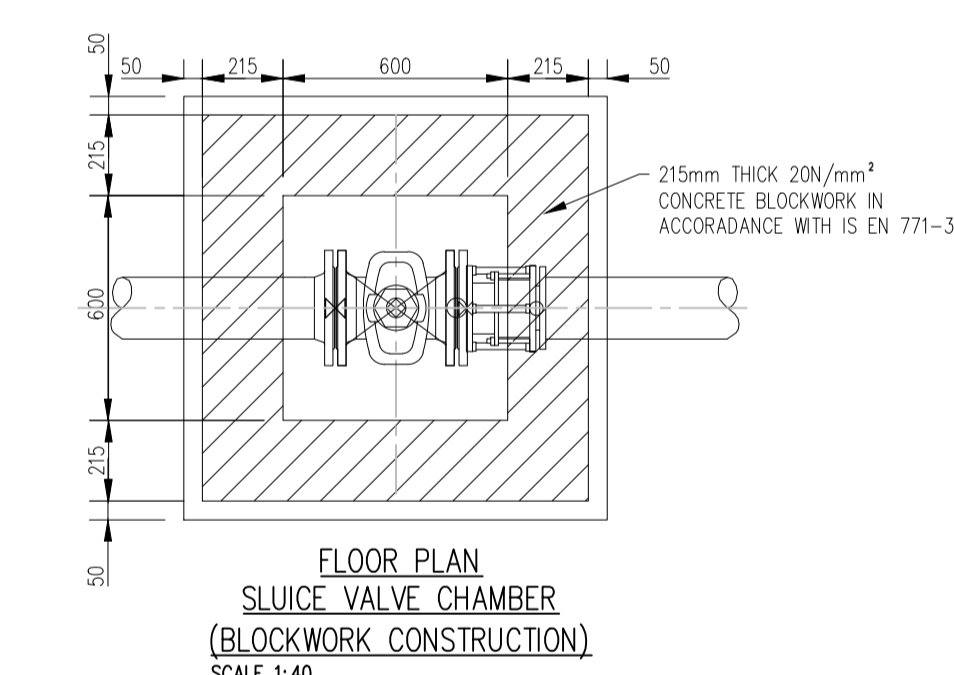
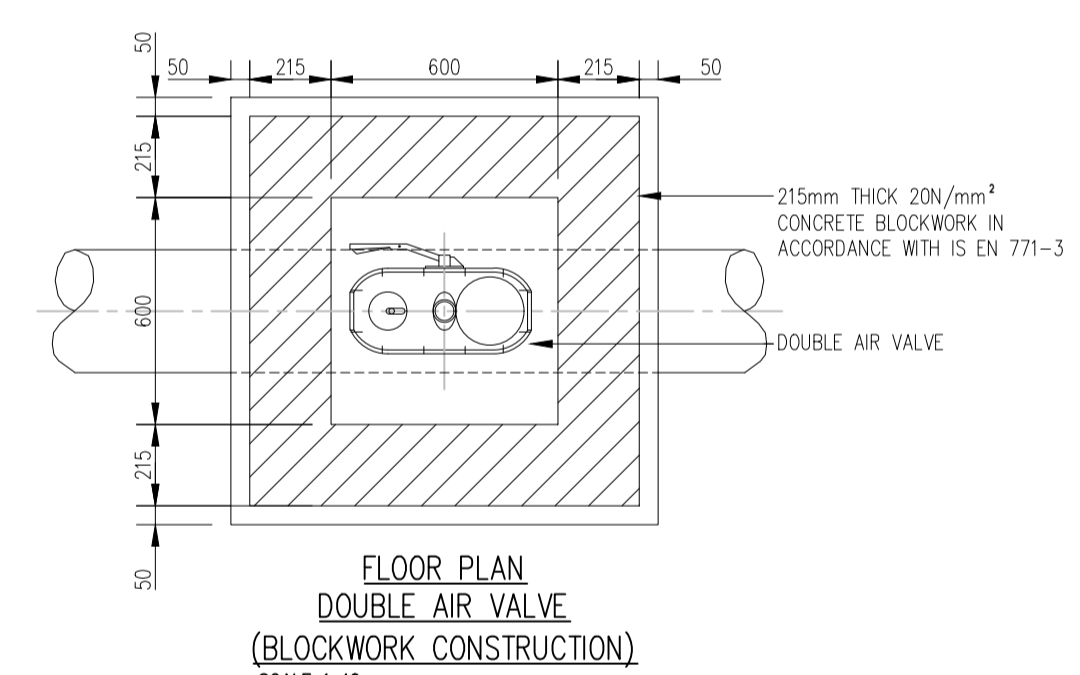
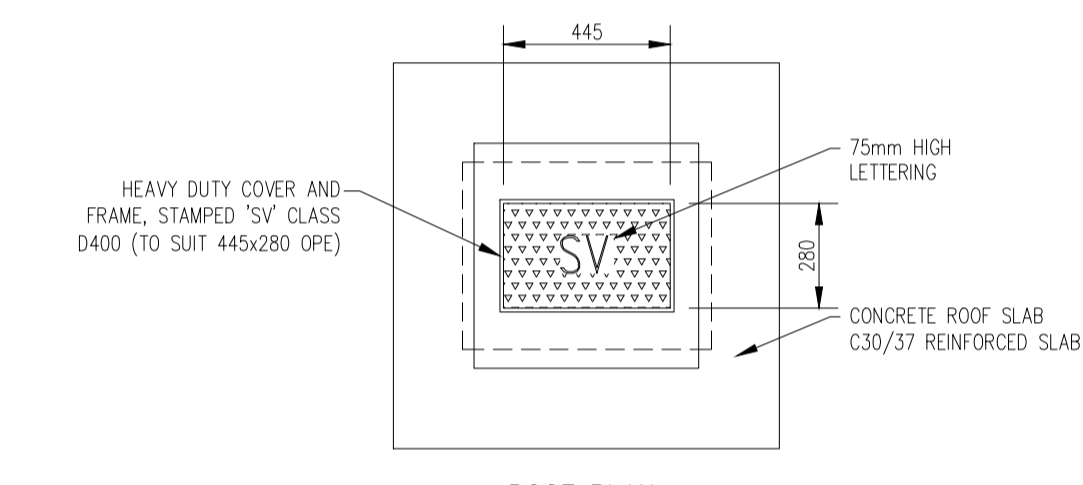
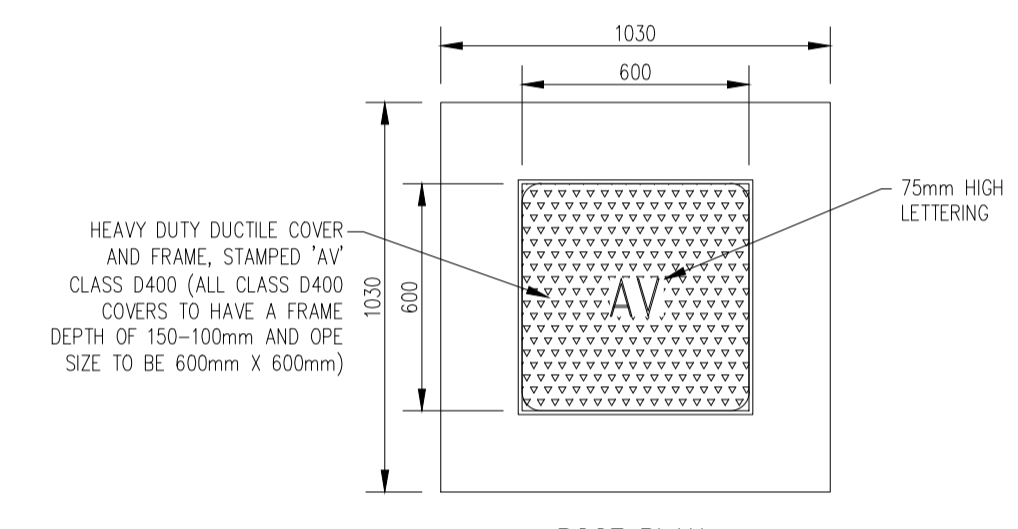
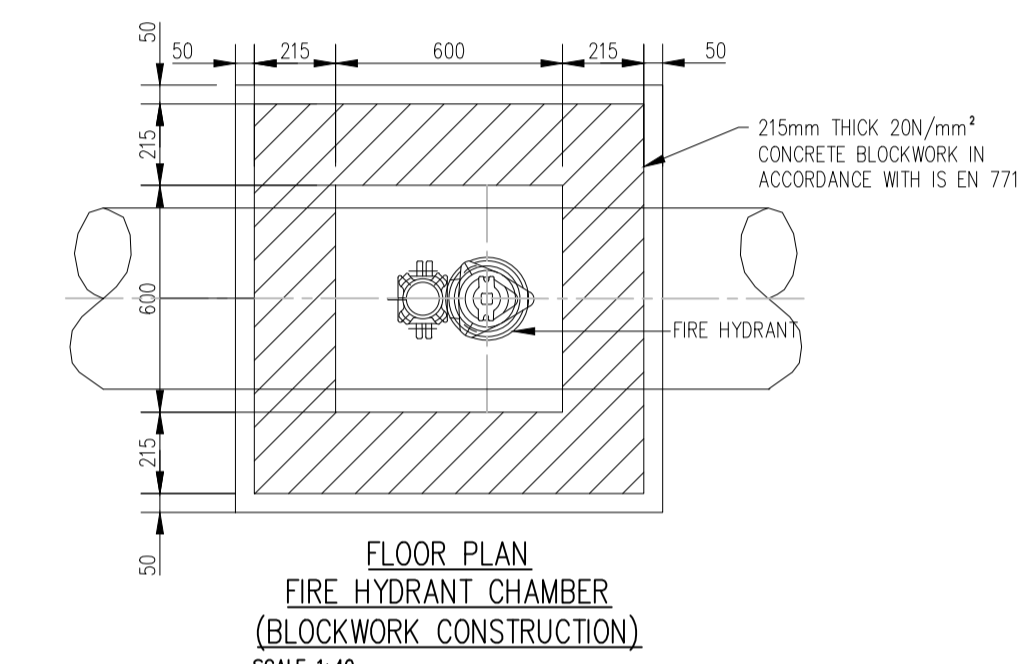
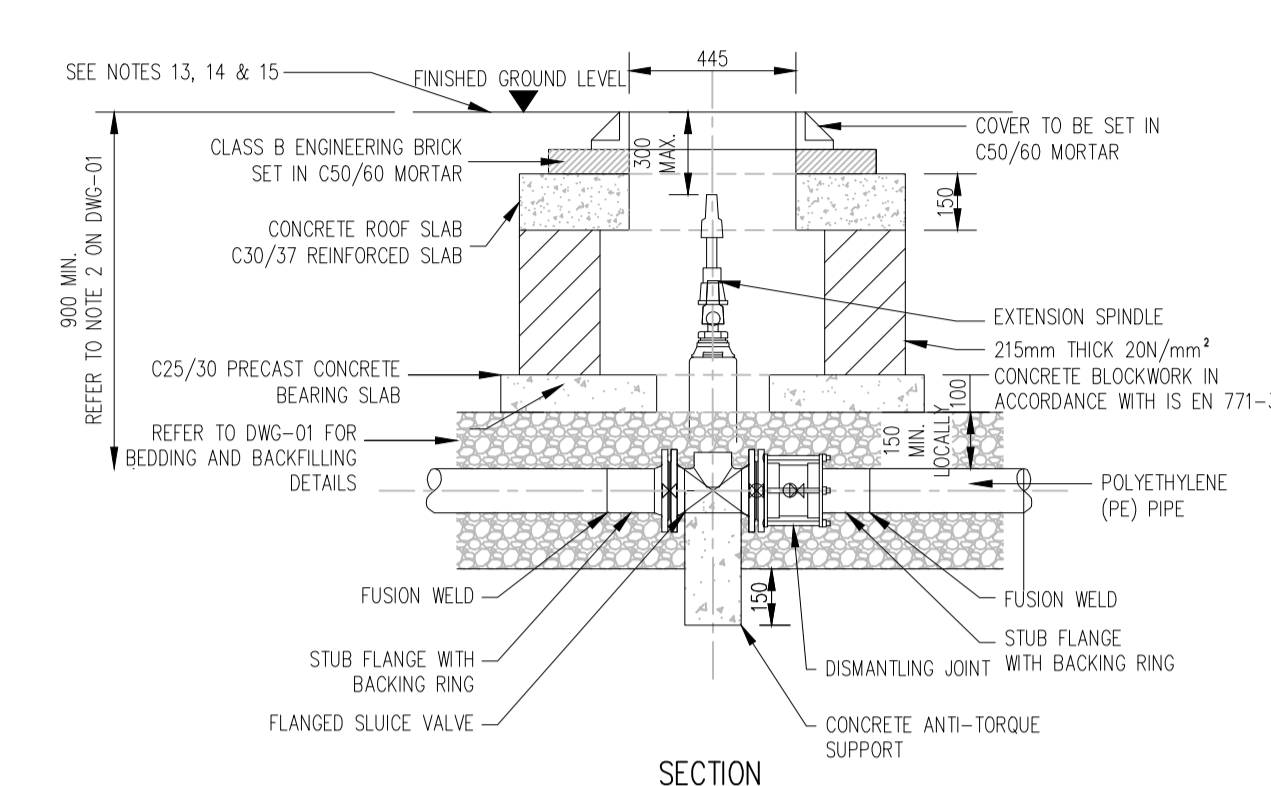
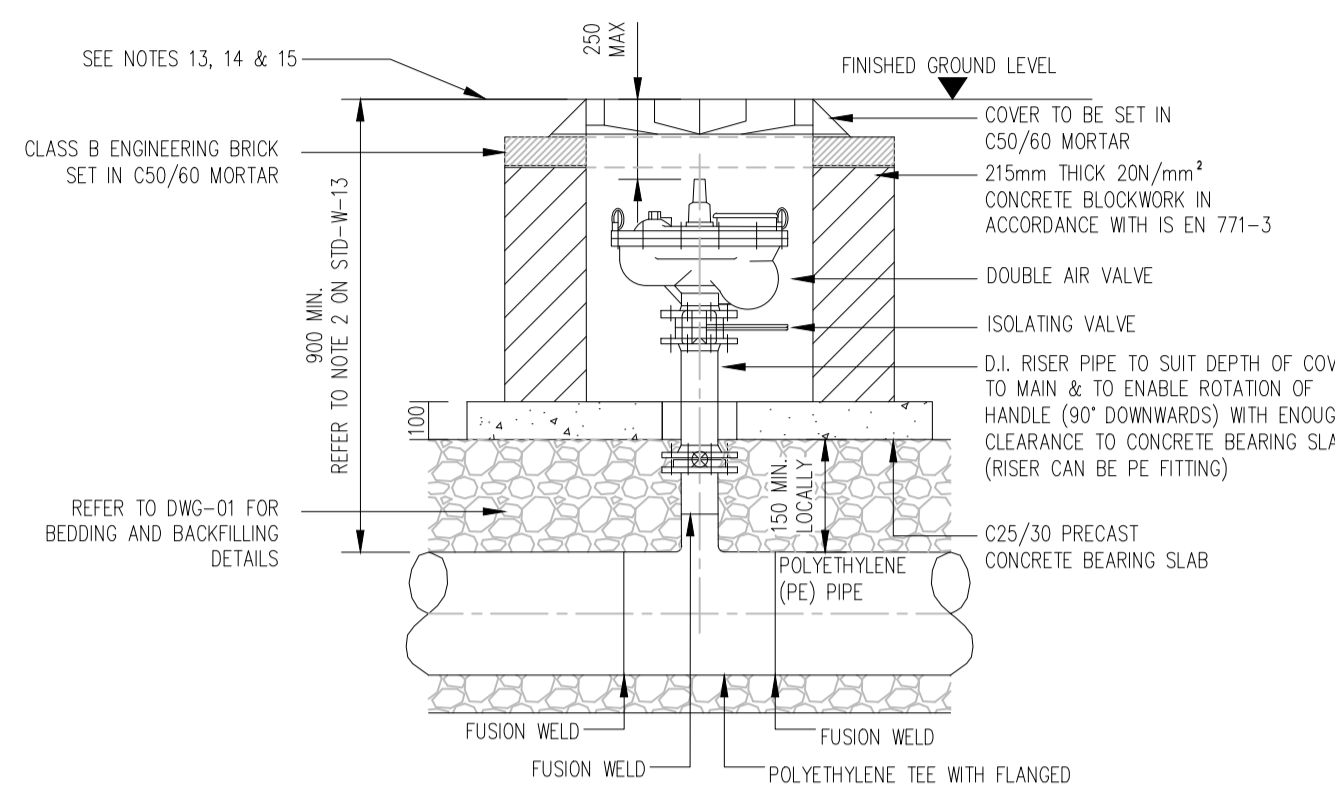
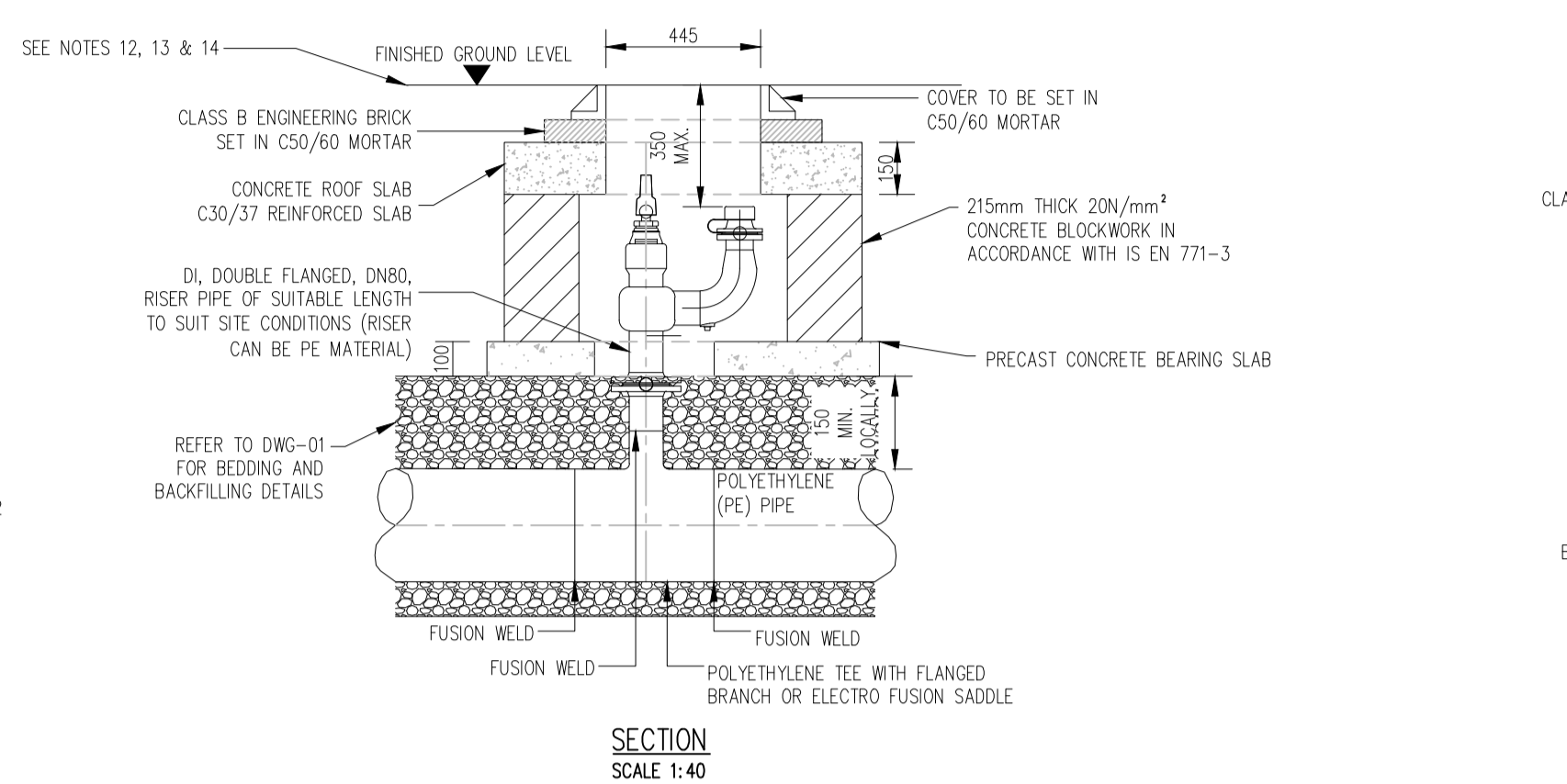
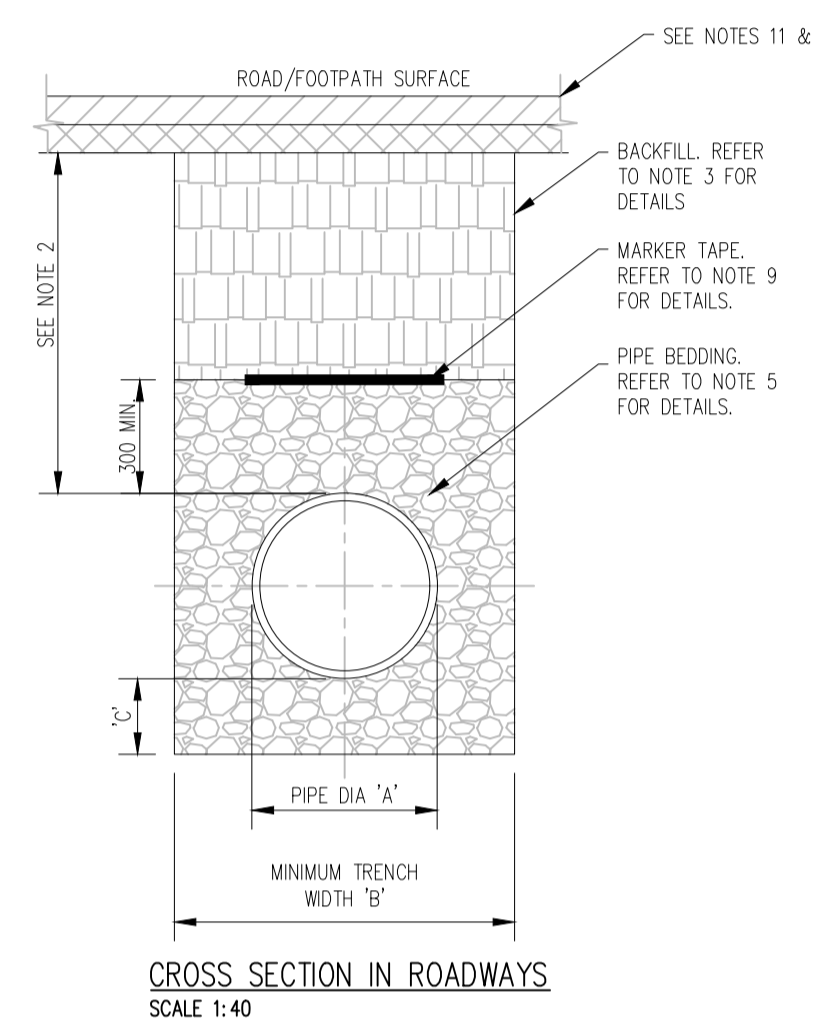
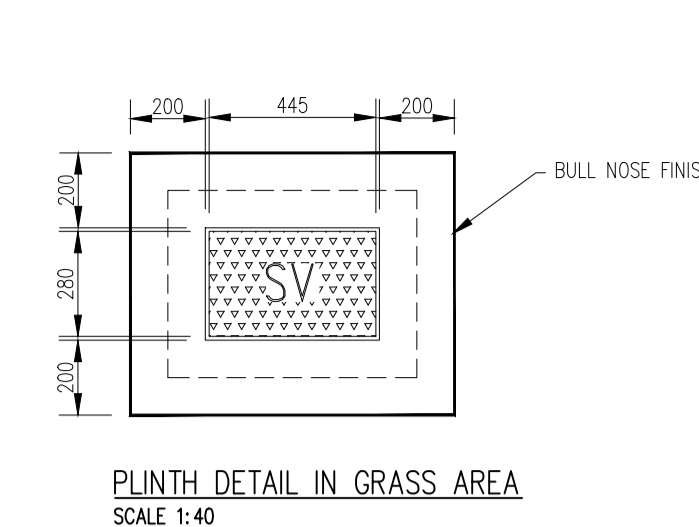
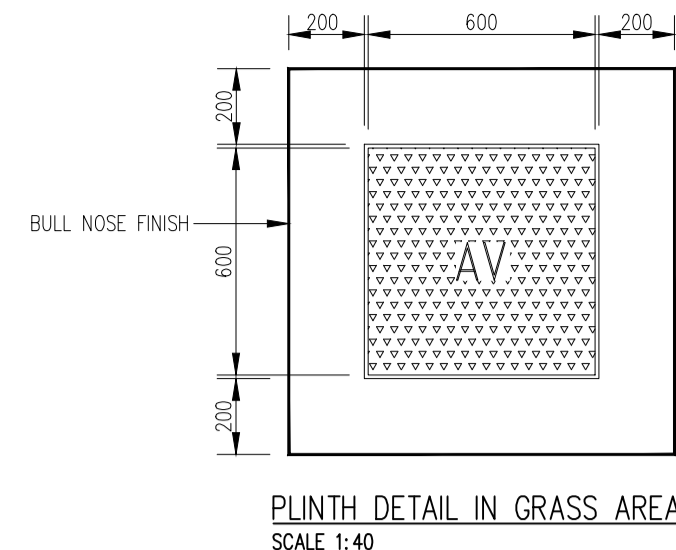
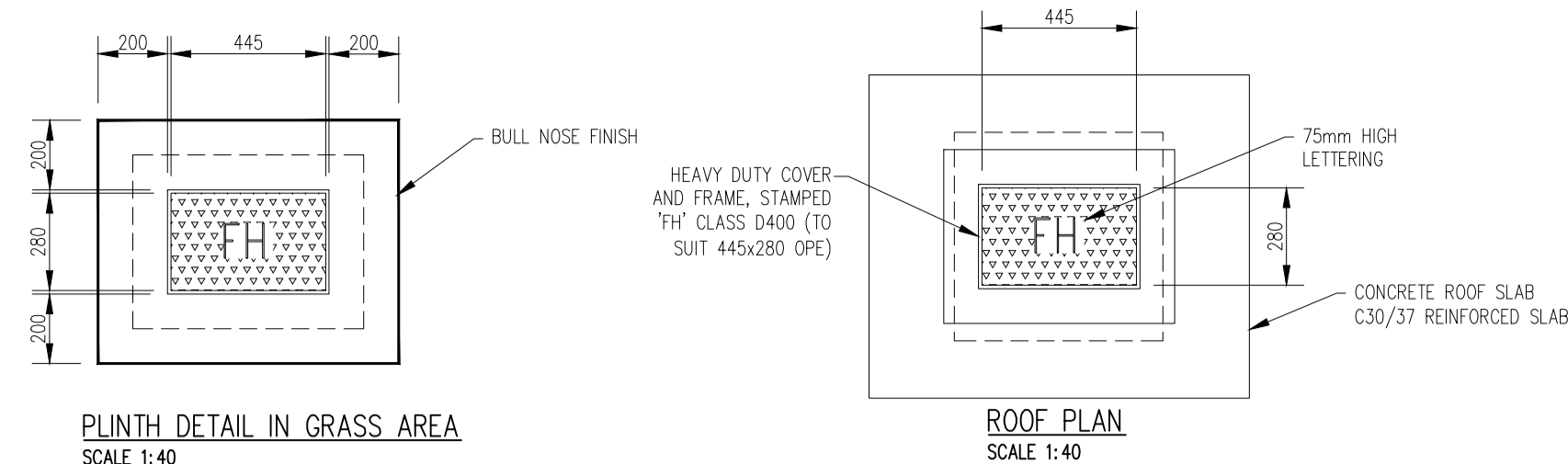
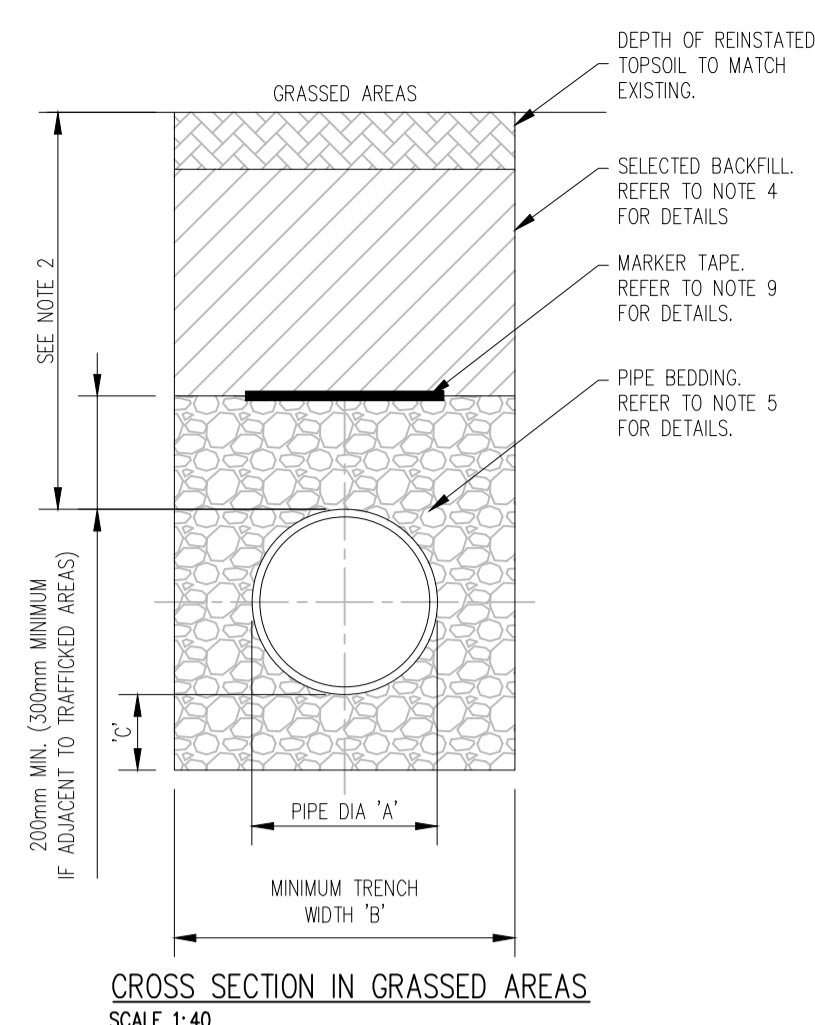


NOTES

GENERAL

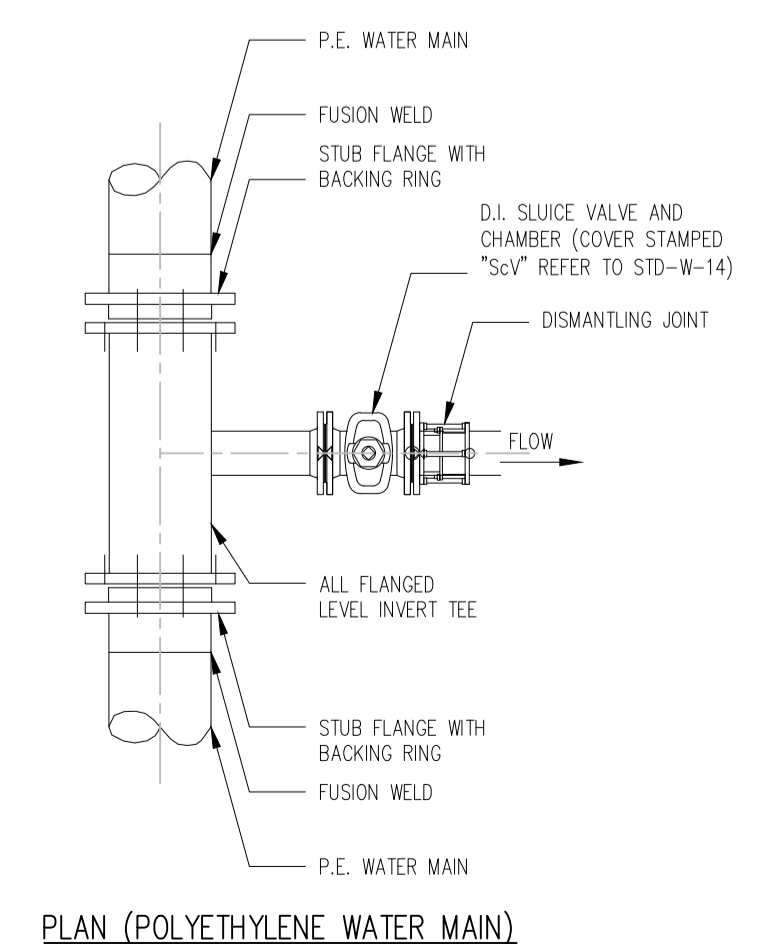
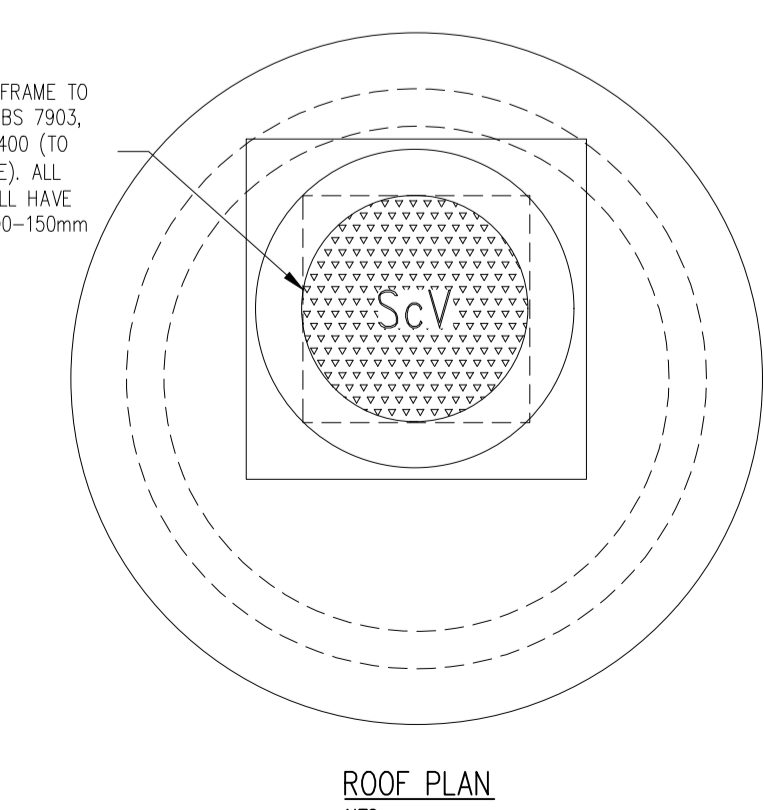
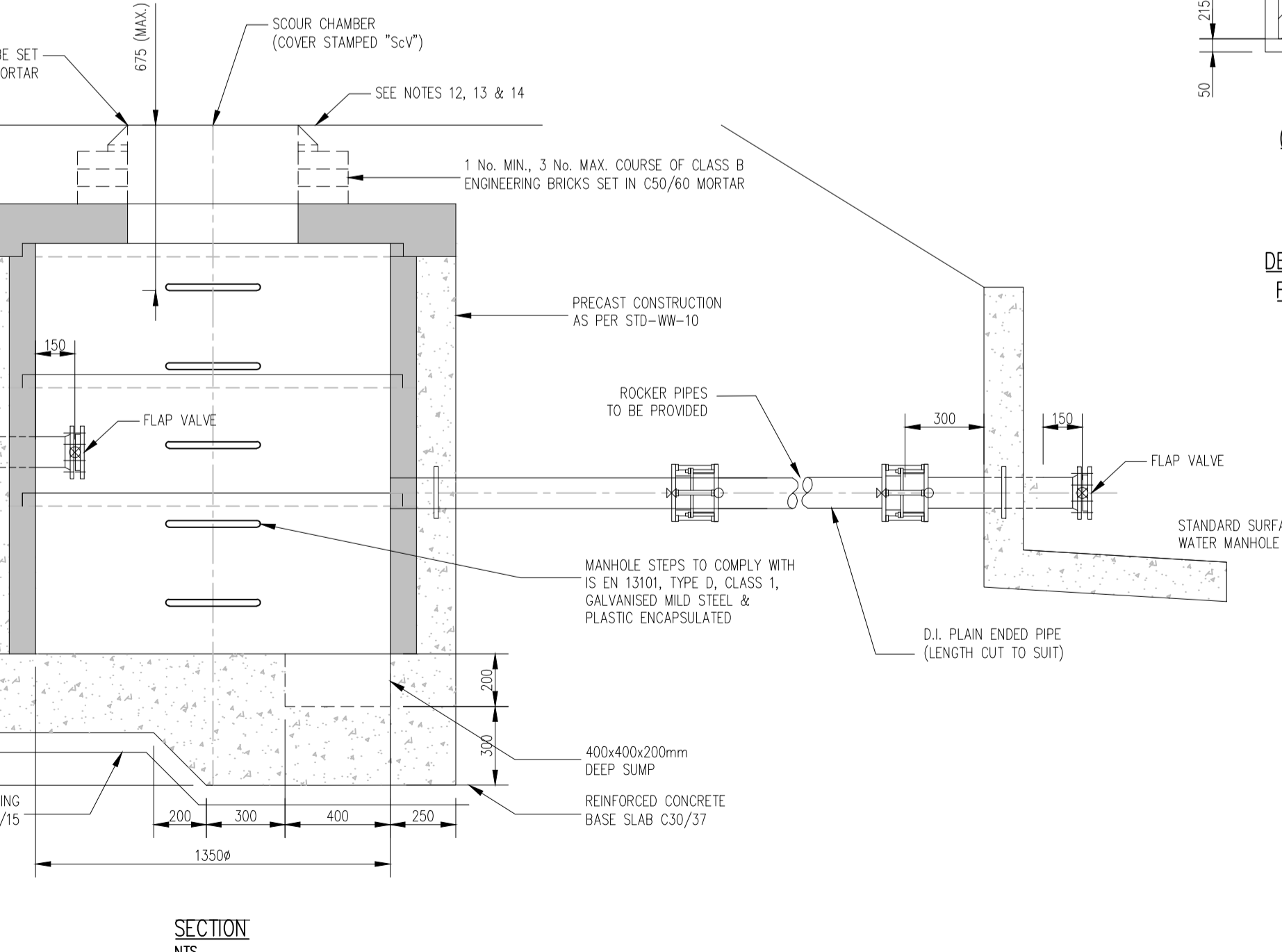
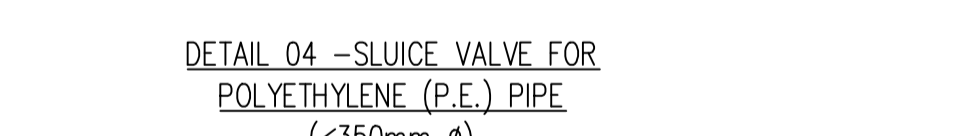
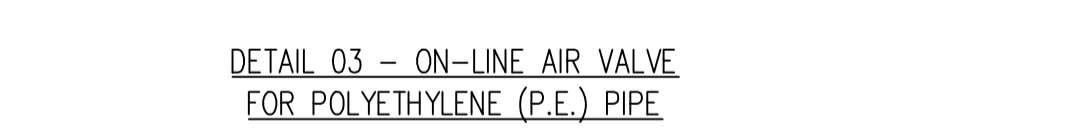
- 1.) THESE DRAWINGS TO BE READ IN CONJUNCTION WITH ALL RELEVANT HAYES HIGGINS ENGINEERING DRAWINGS AND SPECIFICATIONS.
- 2.) DO NOT SCALE. USE FIGURED DIMENSIONS ONLY.

PIPE DIAMETER 'A' (mm)	DEPTH OF BEDDING 'C' (mm)
≤ 200	150
≥ 250	200
PIPE DIAMETER 'A' (mm)	TRENCH WIDTH 'B' (mm)
≤ 80	SEE NOTE 10.
100	500
150	600
200	600
250	750
300	750
350	750
400	900
450	900



DETAIL 02 - ON-LINE HYDRANT FOR POLYETHYLENE (P.E.) PIPE

DIAMETER OF MAIN	UP TO 250 (mm)	250 TO 350 (mm)
DIAMETER OF BRANCH	80mm	100mm
BORE OF VALVE INLET	80mm	100mm



ISSUED	PLANNING
CLIENT	SOPHIA HOUSING
PROJECT NAME	ST JOHN'S CONVENT RATHANGAN
DRAWING NAME	IRISH WATER WATERMAIN DETAILS SHEET 1 OF 4
PROJECT No.	20D004
DRAWING No.	04A
REVISION	P
SCALE	AS SHOWN
DRAWN DATE	10.08.23
CAD DRAWN BY	F.S.
CHECKED BY	L.M.
APPROVED BY	D.H.

HAYES HIGGINS PARTNERSHIP
 The Glass House, 11 Coke Lane Smithfield, Dublin 7. Tel: 01 6612321
 E-mail: admin@hayeshiggins.ie
 Gas House Lane, Kilkenny. Tel: (056) 7764710
 Email: info@hhp.ie